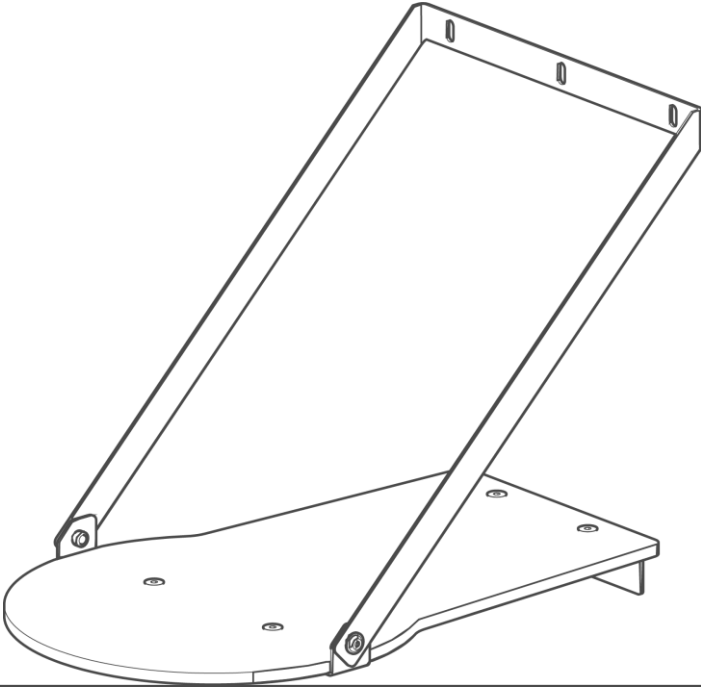


We understand water.



Accessories | Wall bracket softliQ:SD

Mounting Instructions

grünbeck

**General Contact
Germany**

International Sales

Phone +49 9074 41-145

Technical Service

Phone +49 9074 41-333

Fax +49 9074 41-120

Availability

Monday to Thursday

7:00 am - 6:00 pm

Friday

7:00 am - 4:00 pm

We reserve the right to technical modifications.
© by Grünbeck Wasseraufbereitung GmbH

Original operation manual

Edition: March 2023

Order no.: 100006650000_en_015

1 Other applicable documents

The following documents shall be deemed as applicable documents for the wall bracket softliQ:SD:

- Operation manual of water softener softliQ:SD

2 Target group

This manual is intended for qualified specialists.

3 Validity of the manual

This manual applies to the following products:

- Wall bracket softliQ:SD

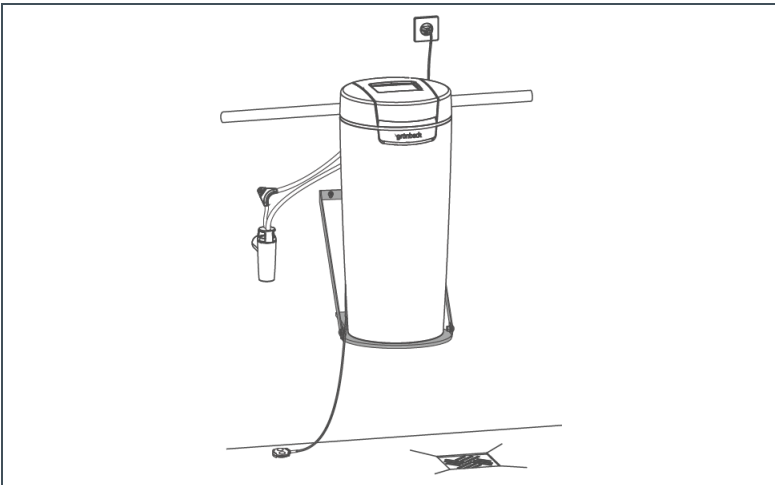
4 Intended use

The wall bracket softliQ:SD is exclusively designed for raised placing (to increase the height of the overflow) of a water softener softliQ:SD.

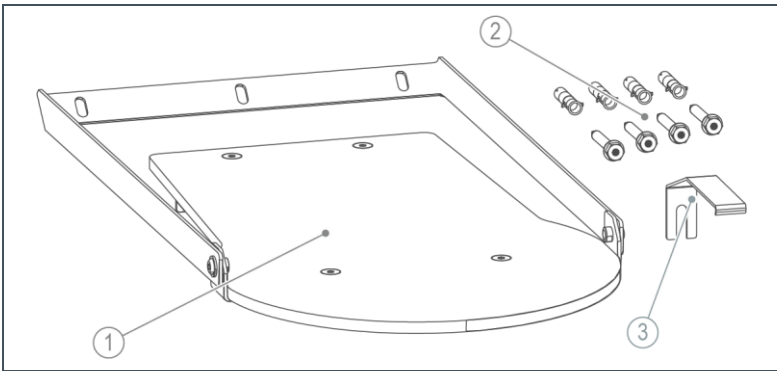
5 Foreseeable misuse

The wall bracket softliQ:SD must not be used as a stepladder.

6 Installation



6.1 Checking the scope of supply



Item	Designation	Item	Designation
1	Pre-assembled wall bracket	3	Hanging bracket to secure against tipping
2	Fastening material		

- ▶ Check the scope of supply for completeness and damage.

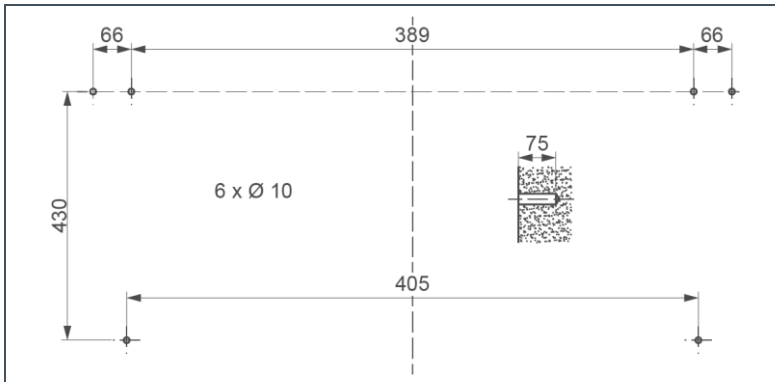
6.2 Installing the product



NOTE: The fastening material included in the scope of supply is suitable for concrete and solid bricks.

- If the underlying structure is not sufficiently load-bearing, the dowels will be pulled out.
- ▶ Check the static condition of the masonry.
- ▶ Use fastening material suitable for the type of masonry.

- ▶ Mark the drill holes according to the following drilling pattern:



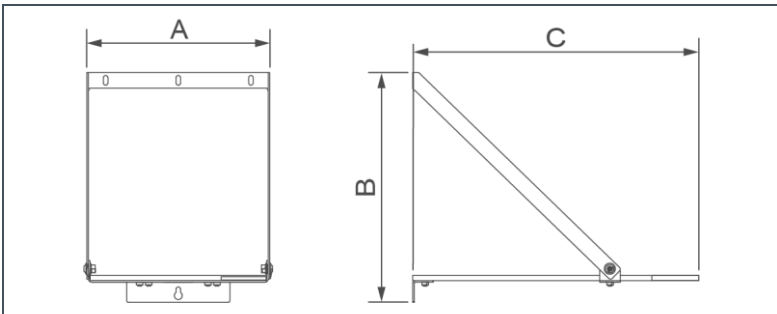
- ▶ Drill the holes and insert the dowels.
- ▶ Bolt the wall bracket to the masonry using a water-level.
- ▶ Check all connections for secure hold.
- ▶ Place the water softener softliQ:SD on the white base plate.
- ▶ Secure the system against tipping by using the attached hanging bracket.

7 Disposal

Do not dispose of the packaging, the product and/or the accessories with household waste.

- Comply with the applicable national regulations for disposal.
- Make sure that the packaging, the product and the accessories are disposed of properly.

8 Technical specifications



Dimensions and weights

A Width	mm	355
B Height	mm	455
C Depth	mm	556
Max. load	kg	75
Shipping weight, approx.	kg	4
Order no.		189000010000

Grünbeck Wasseraufbereitung GmbH
Josef-Grünbeck-Str. 1
89420 Hoechstädt
GERMANY



+49 9074 41-0



+49 9074 41-100

info@gruenbeck.com
www.gruenbeck.com



For more information go
to www.gruenbeck.com